

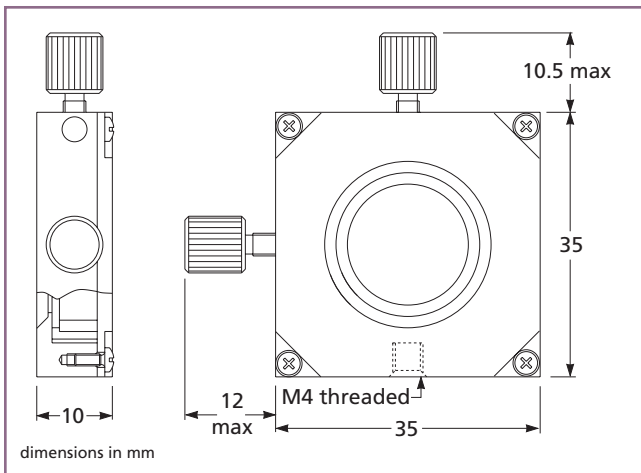
Available in:
✓ Production Quantities



Post-Mountable Two-Axis Positioner

These positioners are ideal for aligning small lenses, apertures, microscope objectives, and optical fibers to the optical axis of a system.

- Steel adjusting screws in brass inserts are exceptionally smooth.
- Positioner holds 16-mm-diameter cell component holders.
- Body is made of black-anodized aluminum.



07 TPE 501 post-mountable two-axis positioners

Post Mountable Two Axis Positioner

Travel (mm)	Resolution (μm)	PRODUCT NUMBER
2	1	07 TPE 501

COMPATIBLE CELLS

Optical Component Cells
(see page 20.10)



Gradient-Index Lens Holders
(see page 20.11)



Spherical Ball Lens Holders
(see page 20.11)



06 GLC Lens Holders
(see page 20.12)



Pinhole/Slit Holder
(see page 20.13)



Fiber Chuck Holder
(see page 20.18)

